

ECOHOG®

HSB-81 Airhog Air Suction Separator



The self-powered HSB-81 Airhog combines a 20kVA generator into the existing EH-81 heavy duty suction fan design. The inclusion of a power module to the HSB-81 makes it the ideal machine for hire/demonstration and remote working applications. It partners excellently with existing Ecohog mobile equipment range and can be easily moved by forklift or telehandler. Incorporating a frequency controlled heavy duty fan, the HSB-81 Airhog is designed for the removal of light and superlight containments from your waste stream such as paper, plastic and foil. This allows customers to produce a more profitable end product. The extraction hood removes low density materials and allows heavy density materials to continue to its final destination.



KEY FEATURES

- Removes unwanted contaminants improving quality downstream
- Reduces/Replaces manual sorting at lower costs
- Adjustable electronic fan speed controls
- Adjustable fittings suitable for various locations in the existing processing facility / setup
- Designed for movement via forklift
- High throughput
- Quick and easy setup

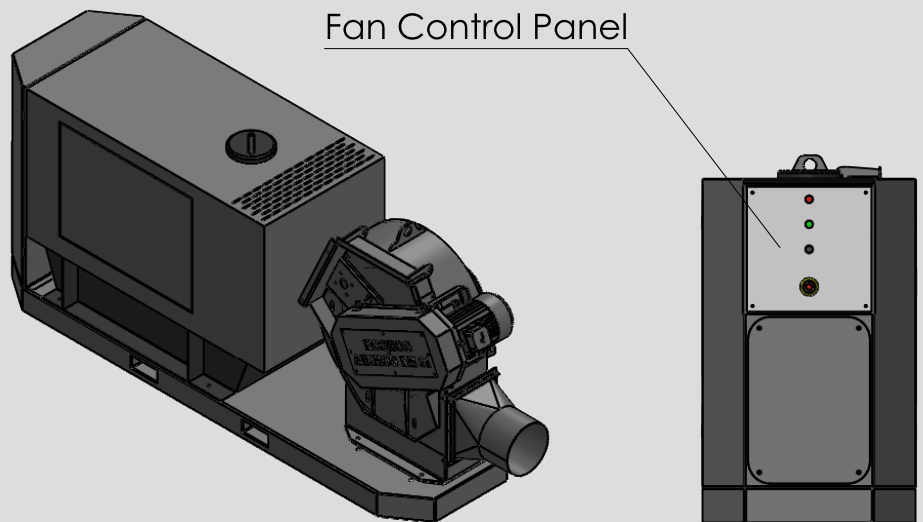
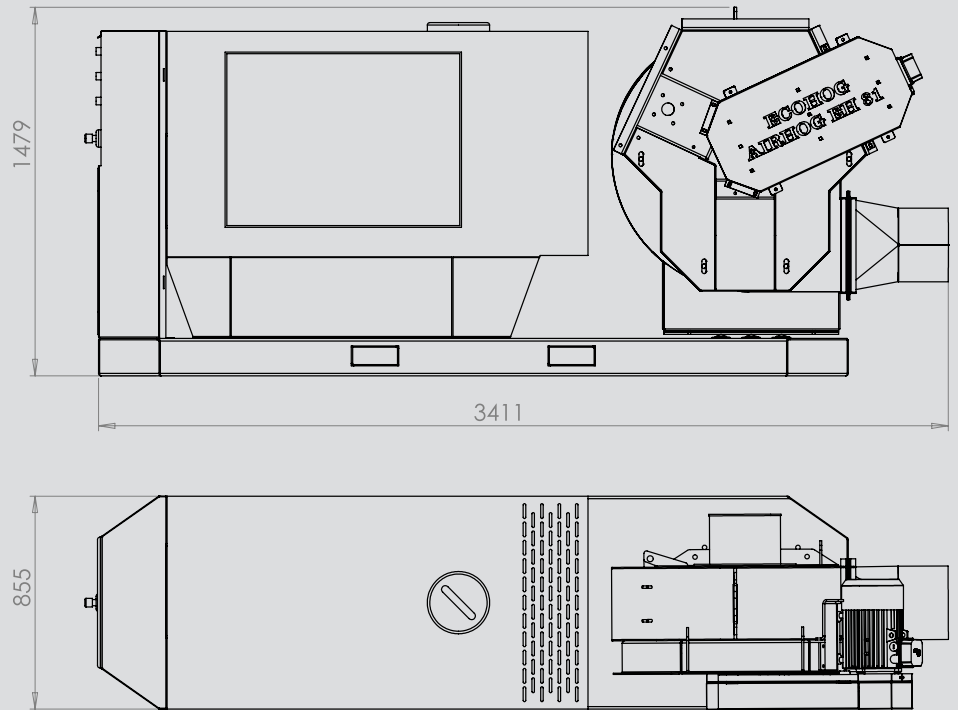
SUITABLE FOR

- Compost
- Waste Wood
- Trommel Fines
- Glass Clean Up
- Incinerator Ash
- Gully waste
- C&D and C&I Waste
- Aggregate
- Skip Waste



Ecohog HQ
Quarry Road | Carrickmore
Omagh | Co. Tyrone | N.I.
T (UK) +44 (0)28 8076 1295
info@ecohog.com
ecohog.com

TECHNICAL DATA



The fan can pivot on the vertical axes
90deg from it's current position

Please note: design and specification may be subject to change.

SPECIFICATION

HSB-81 Airhog

Weight | 1225kg (approx.)
Version: Diesel Generator

Length (3411mm)
Width (855mm)
Height (1479mm)
Fan speed (1450rpm)

Motor

11kW IP55 geared motors VSD

Power Supply

20kVA Diesel Generator

Electrical Lockout

Key switch, engine protection system

Discharge Containment

5m ducting or Filter Sock

UL Certifications

All products supplied by Echogog will be built to the highest specification and control panels will be UL Approved for the USA and Canadian markets.

