



# CONSTRUCTION

# Hydraulic Driven Heads





**6 ABOUT FAE**

**8 CONSTRUCTION  
HYDRAULIC DRIVEN HEADS**

**10 ROAD PLANERS FOR  
SKID STEERS**

14 RPL/SSL

16 RPL/SSL/DT - **NEW**

18 RPM/SSL

**20 WHEEL SAWS FOR  
SKID STEERS**

22 RWM/SSL


**24 STONE CRUSHERS FOR  
SKID STEERS LOADER**

26 STC/SSL

**28 ROAD PLANERS FOR  
EXCAVATORS**

32 RPL/HY - **NEW**

34 RPL/EX - **NEW**





## MAKE THE **DIFFERENCE**

At FAE, every machine, accessory and optional component is designed with utmost precision, the highest quality materials and the most advanced technology.

Each detail is designed to make the execution of the tasks as quick and efficient as possible and for the specific applications, conditions and environment where it will be carried out.

Every FAE machine and accessory was created to make a difference at work and, given the importance of many of the applications we work on, for the planet. This is why each member of our team, each partner and customer works daily.



## ABOUT **FAE**

With a range of over 90 products and 400 models, FAE can meet the most diverse demands for forestry, agricultural, road construction, building and demining applications. The FAE product range includes heads for tractors, excavators, skid steer loaders, special vehicles and tracked vehicles, with cabins or remote controlled. FAE was founded in 1989, and the company's main office is still located in Fondo, Italy. Production, sales, after-sales service and parts services are handled by our 4 production sites, the main office, 7 commercial branches and a network of authorized dealers all over the world.

### **GLOBAL QUALITY**

Our precision design and production processes use advanced technologies to ensure long-term performance and reliability.

### **CONSTANT INNOVATION**

We design unique and cutting-edge products based on customers' specific needs for solutions that pave the way to the future.

### **COMPLETE PRODUCT LINE**

We offer an extensive product range and a high degree of customization to make each process more efficient, more productive, and easier.

### **TOTAL SUPPORT**

We make our vast range of machines, dedicated accessories and components, as well as our technical assistance available worldwide.

# CONSTRUCTION HYDRAULIC DRIVEN HEADS

Our Construction line machines brings the very latest technology to road work, making your job easier, even in the most difficult conditions. Our leading-edge engineering research brings you a range of versatile, functional machinery that is reliable and efficient, able to speed up and simplify the main jobs in the construction and development of roads, highways and other infrastructure works.



# ROAD PLANERS FOR SKID STEERS

Road planers are machines that can scarify road surfaces, gradually removing the asphalt or concrete layer, either partially or fully. FAE's road planers are based on "cold planer" technology. The road's surface is scraped and cut by the impact of special teeth that are attached to the rotor and with a layout that was specifically designed by FAE to increase performance and reduce vibration.



## RPL/SSL

Fixed tooth road planer for skid steers up to 135 hp.



## RPL/SSL/DT

Dual transmission road planer for skid steers up to 135 hp.



## RPM/SSL

Fixed tooth road planer for skid steers up to 135 hp.



# MULTIPURPOSE USES FOR **EXCELLENT RESULTS.**

MODEL	50 - 100 hp	100 - 150 hp
RPL/SSL	60 - 135 hp	
RPL/SSL/DT	90 - 135 hp	
RPM/SSL	75 - 135 hp	

## ROAD PLANERS FOR SKID STEERS

# RPL/SSL

### Fixed tooth road planer for skid steers up to 135 hp.

The RPL/SSL is a road planer for skid steers from 60 to 135 hp, capable of milling up to 17 cm deep and is available in three widths of 45, 60 and 75 cm. The RPL/SSL is ideal for road preparation before adding a new layer of asphalt or concrete, or to simplify excavation operations. Self-leveling skids

and tilt ensure optimal results. Operational precision is ensured by the hydraulic drive system as well as practical depth and cutting indicators. The line is completed with teeth specifically designed for asphalt and concrete road surfaces.



60-135 hp



Depth  
17 cm



Cutting and depth indicators for precise operation control



**Tilt**  
for optimal results on uneven surfaces

**Hydraulic drive system**  
for accurate positioning over the work area

**Self-leveling skids**  
With independent hydraulic position control

#### STANDARD EQUIPMENT

Mechanical floating tilt system (tilt)	Anti-shock block valve with relief and anti-cavitation valves
Independent hydraulic skids control	Hydraulic hoses for connections
Mobile sides-frame	Interchangeable Hardox® antiwear skids plate
Hydraulic side shifting	Asphalt round bit teeth
Enclosed / anti-dust machine body	Cutting indicator
Working pressure control gauge	Diverter valve 12 V
860 cc fixed displacement hydraulic piston motor (RPL/SSL 45-60)	940 cc fixed displacement hydraulic piston motor (RPL/SSL 75)
Direct drive motor transmission	

#### OPTIONS

Multiple tooth options	Adaptor wiring
Water spray system WSS Basic	SAE attachment frame with integrated water tank
Roof mounted water tank kit for skid steer	

MODEL	RPL/SSL 45	RPL/SSL 60	RPL/SSL 75
<b>Engine</b> (hp)	60-110	60-110	90-135
<b>Requirements Flow</b> (L/min)	100-155	100-155	120-170
<b>Pressure</b> (bar)	180-350	180-350	180-350
<b>Working width</b> (mm)	450	600	750
<b>Total width</b> (mm)	1650	1650	1650
<b>Weight</b> (kg)	900	950	1000
<b>Working depth</b> (mm)	0-170	0-170	0-170
<b>Rotor diameter</b> (mm)	600	600	600
<b>Tilting angle</b> ±	8°	8°	8°
<b>Side shifting</b> (mm)	560	560	560
<b>N° picks</b> type R	42	54	60

Data refers to machine as standard. The technical data in this catalogue may be altered without prior notice.

#### MAIN OPTIONS



**Teeth for working on concrete**



**WSS Basic water injection system**  
to reduce dust and cool the teeth



**Wiring adaptors**  
Wiring adaptors interface to allows a Plug & Play coupling with the most popular skid steers

#### ROTOR TYPE R



**PICK R/44/A**  
(standard)



**PICK R/44/C**  
(optional)



NEW

ROAD PLANERS FOR SKID STEERS

# RPL/SSL/DT

## Dual transmission road planer for skid steers up to 135 hp.

The RPL/SSL/DT is a road planer for skid steers from 90 to 135 hp that mills down to 14 cm deep. The RPL/SSL/DT is ideal for road preparation before adding a new layer of asphalt or concrete. Self-leveling skids and tilt ensure optimal results. Operational precision is also ensured by the hydraulic drive system — which makes it possible to work right up against a wall on the

right or left — as well as practical depth and cutting indicators. The dual transmission guarantees optimal power supply and distribution across the entire width of the rotor. The line is completed with teeth specifically designed for asphalt and concrete road surfaces.



90-135 hp



Depth 14 cm



**Extraordinary precision**  
it can work very close to the walls at left and at right

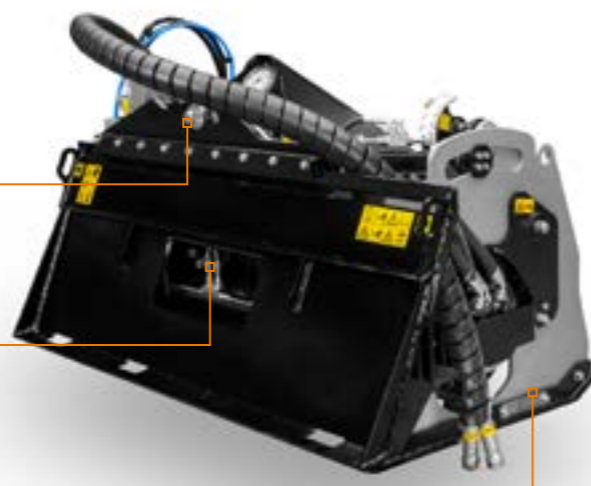


**Cutting and depth indicators**  
for precise operation control

**Tilt**  
for optimal results on uneven surfaces

**Hydraulic drive system**  
for accurate positioning over the work area

**Self-leveling skids**  
With independent hydraulic position control



### STANDARD EQUIPMENT

Mechanical floating tilt system	Anti-shock block valve with relief and anti-cavitation valves
Independent hydraulic skids control	Hydraulic hoses for connections
Mobile sides-frame	Interchangeable Hardox® antiwear skids plate
Hydraulic side shifting	Asphalt round bit teeth
Enclosed / anti-dust machine body	Cutting indicator
Working pressure control gauge	Diverter valve 12 V
565 cc fixed displacement hydraulic piston motor	Direct drive motor transmission

### OPTIONS

Hydraulic floating tilt system	Water spray system WSS Basic
Multiple tooth options	Adaptor wiring

MODEL	RPL/SSL/DT 100	RPL/SSL/DT 125	RPL/SSL/DT 150
<b>Engine (hp)</b>	90-135	90-135	90-135
<b>Requirements Flow (L/min)</b>	120-200	120-200	120-200
<b>Pressure (bar)</b>	180-350	180-350	180-350
<b>Working width (mm)</b>	1000	1250	1500
<b>Total width (mm)</b>	1650	1650	1650
<b>Weight (kg)</b>	1150	1250	1350
<b>Working depth (mm)</b>	0-140	0-140	0-140
<b>Rotor diameter (mm)</b>	600	600	600
<b>Tilting angle ±</b>	± 8°	± 8°	± 8°
<b>Side shifting (mm)</b>	560	560	560
<b>N° picks type R</b>	78	96	114

Data refers to machine as standard. The technical data in this catalogue may be altered without prior notice.

### MAIN OPTIONS



**Teeth for working on concrete**



**WSS Basic water injection system**  
to reduce dust and cool the teeth



**Wiring adaptors**  
Wiring adaptors interface to allows a Plug & Play coupling with the most popular skid steers



**Hydraulic tilt**  
for direct control from the cab

### ROTOR TYPE R



**PICK R/44/A**  
(standard)



**PICK R/44/C**  
(optional)

## ROAD PLANERS FOR SKID STEERS

# RPM/SSL

### Fixed tooth road planer for skid steers up to 135 hp.

The RPM/SSL is a road planer for skid steers from 75 to 135 hp, able to shred up to 25 cm deep, at a width of 60 cm. The RPM/SSL is ideal for road surface preparation before adding a new layer of asphalt or concrete, or to simplify excavation operations. The self-leveling skids and tilt ensure optimal results on uneven surfaces.

Operational precision is ensured by the hydraulic drive system as well as practical depth and cutting indicators. The line is completed with teeth specifically designed for asphalt and concrete road surfaces.



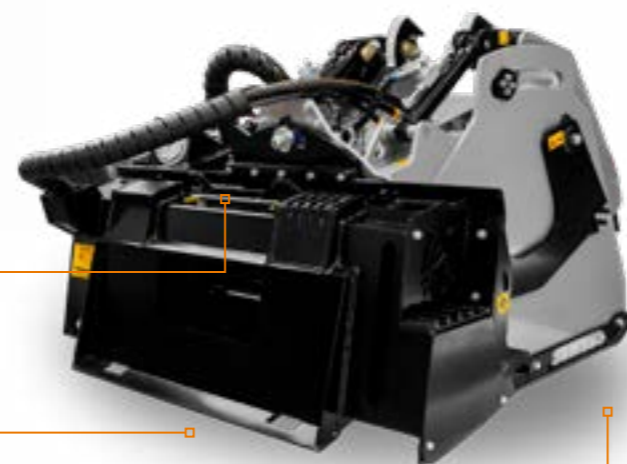
75-135 hp



Depth  
25 cm



Cutting and depth indicators for precise operation control



**Tilt**  
for optimal results on uneven surfaces

**Hydraulic drive system**  
for accurate positioning over the work area

**Self-leveling skids**  
With independent hydraulic position control

#### STANDARD EQUIPMENT

Mechanical floating tilt system (tilt)	Anti-shock block valve with relief and anti-cavitation valves
Independent hydraulic skids control	Hydraulic hoses for connections
Mobile sides-frame	Interchangeable Hardox® antiwear skids plate
Hydraulic side shifting	Asphalt round bit teeth
Enclosed / anti-dust machine body	Cutting indicator
Working pressure control gauge	Diverter valve 12 V
1130 cc fixed displacement hydraulic piston motor	Direct drive motor transmission

#### OPTIONS

Multiple tooth options	Adaptor wiring
Water spray system WSS Basic	SAE attachment frame with integrated water tank
Roof mounted water tank kit for skid steer	

#### MODEL

	RPM/SSL 60
<b>Engine</b> (hp)	75-135
<b>Requirements Flow</b> (L/min)	120-170
<b>Pressure</b> (bar)	180-350
<b>Working width</b> (mm)	600
<b>Total width</b> (mm)	1650
<b>Weight</b> (kg)	1170
<b>Working depth</b> (mm)	0-250
<b>Rotor diameter</b> (mm)	765
<b>Tilting angle</b> ±	8°
<b>Side shifting</b> (mm)	560
<b>N° picks</b> type R	60

Data refers to machine as standard. The technical data in this catalogue may be altered without prior notice.

#### MAIN OPTIONS



**Teeth for working on concrete**



**WSS Basic water injection system**  
to reduce dust and cool the teeth



**Wiring adaptors**  
Wiring adaptors interface to allows a Plug & Play coupling with the most popular skid steers

#### ROTOR TYPE R



**PICK R/44/A**  
(standard)

**PICK R/44/C**  
(optional)

# WHEEL SAWS FOR SKID STEERS

Wheel saws for skid steers utilize a disc rotor to excavate road services at different depths and widths. FAE's specially designed and arranged teeth allow these wheel saws to operate with improved performance and reduced vibration.



**RWM/SSL**  
Disc road planer for skid steers.

50 - 100 hp

100 - 150 hp

75 - 135 hp



WHEEL SAWS FOR SKID STEERS

# RWM/SSL

## Disc road planer for skid steers.

The RWM/SSL is a disc-type road planer for skid steers from 75 to 135 hp, able to shred channels up to 50 cm deep with modular widths of 8, 10 or 12 cm. The RWM/SSL aims mainly to ensure extremely precise excavations for laying electrical, water, gas and fiber optic conduits. The depth indicator allows precise

depth management and the self-leveling penetration skids allow the working depth to be kept constant at all times. The optimized side output allows the track to be kept free of waste materials at all times.



75-135 hp



Depth 50 cm

**Depth Indicator**  
for precise depth control



**Self-leveling skids**  
with hydraulic depth control

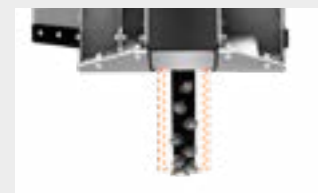


**Hydraulic drive system**  
for accurate positioning over the work area



**Modular cutting discs**  
of 3, 4 or 5 inches

### MAIN OPTIONS



**Cutting disc available in three widths**



**WSS Basic water injection system**  
to reduce dust and cool the teeth



**Wiring adaptors**  
Wiring adaptors interface to allows a Plug & Play coupling with the most popular skid steers

### STANDARD EQUIPMENT

Hydraulic working depth adjustment	Anti-shock block valve with relief and anticavitation valves
Hydraulic side shifting	Hydraulic hoses for connections
Mobile sides-frame	Interchangeable Hardox® antiwear skids plate
Enclosed / anti-dust machine body	Disc rotor with interchangeable sectors
Working pressure control gauge	Diverter valve 12 V
1500 cc fixed displacement hydraulic piston motor	Supporting service leg
Direct drive motor transmission	

### OPTIONS

Multiple disc rotor width options	Adaptor wiring
Water spray system WSS Basic	Roof mounted water tank kit for skid steer

### MODEL

### RWM/SSL

	80 mm Disc Rotor STD	100 mm Disc Rotor OPT	120 mm Disc Rotor OPT
<b>Engine (hp)</b>	75-135	75-135	75-135
<b>Requirements Flow (L/min)</b>	120-170	120-170	120-170
<b>Pressure (bar)</b>	200-350	200-350	200-350
<b>Working width (mm)</b>	80	100	120
<b>Total width (mm)</b>	1640	1640	1640
<b>Weight (kg)</b>	1315	1340	1365
<b>Working depth (mm)</b>	250-500	250-500	250-500
<b>Rotor diameter (mm)</b>	1400	1400	1400
<b>Side shifting (mm)</b>	560	560	560
<b>N° picks type R</b>	40	50	55

Data refers to machine as standard. The technical data in this catalogue may be altered without prior notice.

### ROTOR TYPE R



**PICK R/44/C**  
(optional)

# STONE CRUSHERS FOR SKID STEERS

When the presence of large stones and rocks is a problem, FAE can help with a line of stone crushers for skid steers to help ensure extremely high productivity. Whether you need to reduce the size of the materials or crush coarse rubble to produce gravel, the FAE STC/SSL can meet your specific needs.



## STC/SSL

Stone Crushers with fixed teeth for skid steer loaders.

0 - 100 hp

100 - 200 hp

90 - 120 hp



## STONE CRUSHERS FOR SKID STEERS

# STC/SSL

### Stone Crushers with fixed teeth for skid steer loaders.

Designed and built for High Flow skid steers. Its compact size makes it the ideal solution for dirt and gravel roads, bike and horse trails, driveways, curbs, landscaping and smaller job sites as well as agricultural land reclamation. The spiral rotor

designed configuration ensures even and highly productive crushing capacity and the Hardox® counter knives allow you to adjust the size of the final product. The rear hydraulic door is used to adjust the amount of material exiting the crushing chamber.



90-120 hp



Depth  
15 cm



Hydraulic hoses

Adjustable Hardox® counter-blade to effectively control the final product size



External pressure control Gauge



Penetration skids

### MAIN OPTIONS



**Diverter valve to control hood cylinders**  
to control the opening and closing of the hydraulic door

### STANDARD EQUIPMENT

Hydraulic piston motor 125cc with relief and anticavitation valve	Hydraulic rear door
Safety and anticavitation valve	Working pressure control gauge
Enclosed / anti dust machine body	Additional reinforced side plates
Motor enclosed in the frame	Protection chains
Poly Chain® Belt Transmission	Flat pressed welded steel counter-blades
Hydraulic hoses	Adjustable Hardox® counter-blade

### OPTIONS

Diverter valve	Adaptor wiring
----------------	----------------

### MODEL

### STC/SSL 150

<b>Engine</b> (hp)	90-120
<b>Requirements Flow</b> (l/min)	110-150
<b>Pressure</b> (bar)	220-350
<b>Working width</b> (mm)	1590
<b>Overall width</b> (mm)	1894
<b>Weight</b> (Kg)	1210
<b>Rotor diameter</b> (mm)	450
<b>Max. working depth</b> (mm)	150
<b>No. teeth</b> type STCL/3+C/3/SS	32+4

Data refers to machine as standard. The technical data in this catalogue may be altered without prior notice.



**TOOTH STCL/3**  
(standard)



**TOOTH C/3/SS**  
(side scraper)

# ROAD PLANERS FOR EXCAVATORS

Road planers are machines that can mill road surfaces, gradually removing the asphalt or concrete layer, either partially or fully. FAE's road planers are based on "cold planer" technology. The road's surface is scraped by the impact of special teeth that are attached to the rotor and with a layout that was specifically designed by FAE to increase performance and reduce vibration. The fields of application are specifically where the maneuverability, flexibility and precision of an excavator are needed, such as in the presence of narrow corners, sidewalks, service channels.



## RPL/HY

Fixed tooth road planer for excavators up to 8 t.



## RPL/EX

Fixed tooth road planer for excavators up to 14 t.



# ABLE TO MEET YOUR REQUIREMENTS.

MODEL	0 - 100 L/min	100 - 200 L/min
RPL/HY	50 - 90 L/min	
RPL/EX		105 - 160 L/min



NEW

ROAD PLANERS FOR EXCAVATORS

# RPL/HY

## Fixed tooth road planer for excavators up to 8 t.

The RPL/HY is a road planer for excavators from 5 to 8 t, capable of milling up to 11,5 cm deep. The RPL/HY is ideal for preparing the surface of the road for laying a new layer of asphalt or concrete. Its features

include a wide-stroke self-leveling system for proper head alignment during operation and teeth specifically designed for asphalt and concrete road surfaces.



5-8 t



50-90 L/min



Depth 11,5 cm



Attachment with self-levelling system for proper head alignment during operation

Radial pistons motor to maximize performance



Depth Indicator

Mechanical adjustment of working depth

### STANDARD EQUIPMENT

470 cc hydraulic piston motor	Enclosed, dust-resistant machine body
Direct-drive transmission	Fittings for hydraulic connections
Flow Control system valve with integrated safety and anticavitation valves	Self-leveling attachment bracket
Mechanically adjustable working depth	Rotor with picks R/44/A

### OPTIONS

Customized attachment bracket kit with customized pins	Multiple tooth options
--	------------------------

### MODEL

### RPL/HY 30

Flow rate (L/min)	50-90
Pressure (bar)	180-350
Excavator weight (t)	5-8
Working width (mm)	300
Total width (mm)	510
Weight (kg)	400
Rotor diameter (mm)	525
Working depth (mm)	0-115
N° picks type R/44/A	32

Data refers to machine as standard. The technical data in this catalogue may be altered without prior notice.

### MAIN OPTIONS



Teeth for working on concrete



Custom attachment bracket

### ROTOR TYPE R



PICK R/44/A (standard)

PICK R/44/C (optional)

NEW

ROAD PLANERS FOR EXCAVATORS

# RPL/EX

## Fixed tooth road planer for excavators up to 14 t.

The RPL/EX is a road planer for excavators from 8 to 14 t, capable of milling up to 13.5 cm deep. The RPL/EX is ideal for preparing the surface of the road for laying a new layer of asphalt or concrete. Its features include a hydraulic regulated base for precisely managing the machine's working depth,

a wide-stroke self-leveling system to keep the head properly aligned while in operation, and teeth specifically designed for asphalt and concrete road surfaces.



8-14 t



105-160 L/min



Depth  
13,5 cm



Adjustable right skid for correct head alignment in overlaps



Attachment with self-levelling system for the correct alignment of the head during work

Hydraulic adjustment of the working depth

Radial pistons motor to maximize performance

### STANDARD EQUIPMENT

860 cc fixed displacement hydraulic piston motor	Asphalt round bit teeth
Flow Control valve with integrated relief and anti-cavitation valves	Self-levelling attachment bracket
Enclosed / anti-dust machine body	Mechanical adjustable right skid
Fittings for hydraulic connections	Hydraulic working depth adjustment
Direct drive motor transmission	

### OPTIONS

Diverter valve 12V	Control box for Diverter valve
Diverter valve 24V	Multiple tooth options
Customized attachment bracket kit with customized pins	

### MODEL

RPL/EX 45

Flow rate (L/min)	105-160
Pressure (bar)	180-350
Excavator weight (t)	8-14
Working width (mm)	450
Total width (mm)	780
Weight (kg)	700
Rotor diameter (mm)	600
Working depth (mm)	0-135
N° picks type R	42

Data refers to machine as standard. The technical data in this catalogue may be altered without prior notice.

### MAIN OPTIONS



Teeth for working on concrete



Diverter valve for depth control

### ROTOR TYPE R



PICK R/44/A (standard)



PICK R/44/C (optional)



ALWAYS BY  
YOUR SIDE  
TO **MAKE THE  
DIFFERENCE**



The technical data in this catalog may be altered without prior notice.  
The information and images in this document are not binding.  
The weight is approximate and refers to machine without options.  
The data in this catalog must be confirmed by the sales department.  
Photographs may include accessories and equipment not supplied as standard.  
FAE GROUP S.p.A. reserves the right to make changes at any time, without prior warning.

